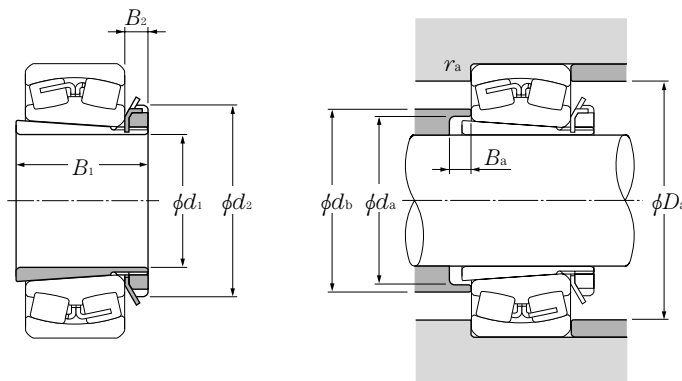


(For spherical roller bearings)



d_1 35 ~ 70mm

Boundary dimensions				Bearing numbers	Abutment and fillet dimensions						Mass ¹⁾
mm					mm						
d_1	B_1	d_2	B_2	d_a min	d_b max	B_a min	D_a min	D_a max	r_{as} max	kg (approx.)	
35	36	58	10	LH-22208CK;H 308X	44	50	5	—	73	1	0.189
	36	58	10	21308CK;H 308X	44	54	5	—	81.5	1.5	0.189
	46	58	10	22308CK;H2308X	45	52	5	—	81.5	1.5	0.224
40	39	65	11	LH-22209CK;H 309X	49	57	8	—	78	1	0.248
	39	65	11	21309CK;H 309X	49	61	5	—	91.5	1.5	0.248
	50	65	11	22309CK;H2309X	50	58	5	—	91.5	1.5	0.28
45	42	70	12	LH-22210CK;H 310X	54	63	10	—	83	1	0.303
	42	70	12	21310CK;H 310X	54	67	5	—	100	2	0.303
	55	70	12	22310CK;H2310X	56	65	5	—	100	2	0.362
50	45	75	12	LH-22211EK;H 311X	60	67	11	89.5	91.5	1.5	0.345
	45	75	12	LH-22211BK;H 311X	60	67	11	—	91.5	1.5	0.345
	45	75	12	21311K ;H 311X	60	73	6	—	110	2	0.345
	59	75	12	22311BK;H2311X	61	71	6	—	110	2	0.42
55	47	80	13	LH-22212EK;H 312X	65	72	9	98	101.5	1.5	0.394
	47	80	13	LH-22212BK;H 312X	65	72	9	—	101.5	1.5	0.394
	47	80	13	21312K ;H 312X	65	79	5	—	118	2	0.394
	62	80	13	22312BK;H2312X	66	77	5	—	118	2	0.481
60	50	85	14	LH-22213EK;H 313X	70	78.5	8	107	111.5	1.5	0.458
	50	85	14	LH-22213BK;H 313X	70	78.5	9	—	111.5	1.5	0.458
	50	85	14	21313K ;H 313X	70	85	5	—	128	2	0.458
	65	85	14	22313BK;H2313X	72	84	5	—	128	2	0.557
65	55	98	15	LH-22215EK;H 315X	80	89	12	117.5	121.5	1.5	0.831
	55	98	15	LH-22215BK;H 315X	80	89	12	—	121.5	1.5	0.831
	55	98	15	21315K ;H 315X	80	97	5	—	148	2	0.831
	73	98	15	22315BK;H2315X	82	96	5	—	148	2	1.05
70	59	105	17	LH-22216EK;H 316X	86	94.5	12	125.5	130	2	1.03
	59	105	17	LH-22216BK;H 316X	86	94.5	12	—	130	2	1.03
	59	105	17	21316K ;H 316X	86	103	5	—	158	2	1.03
	78	105	17	22316BK;H2316X	87	103	5	—	158	2	1.28

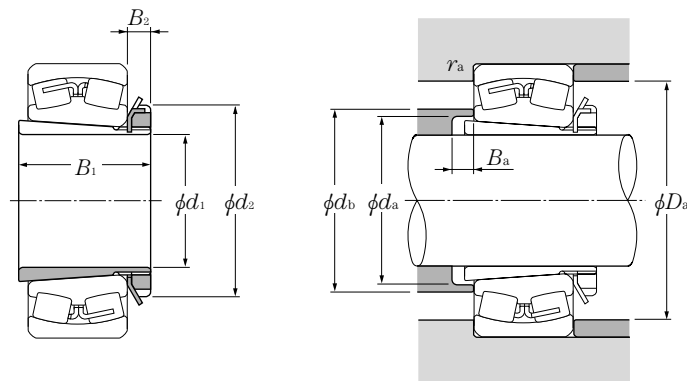
1) Indicates adapter mass.

Note: 1. Please refer to page B-222 to B-225 for bearing dimensions, rated loads, and mass.

2. Please refer to page C-2 to C-10 and C-12 to C-14 for adapter locknut and washer dimensions.

3. Adapter numbers with the suffix "X" signify narrow slit type adapters, and use washers with straight inner tabs.

(For spherical roller bearings)



d_1 75 ~ 115mm

Boundary dimensions				Bearing numbers	Abutment and fillet dimensions						Mass ¹⁾
mm					mm						
d_1	B_1	d_2	B_2		d_a min	d_b max	B_a min	D_a min	D_a max	r_{as} max	kg (approx.)
75	63	110	18	LH-22217EK;H 317X	91	100.5	12	135	140	2	1.18
	63	110	18	LH-22217BK;H 317X	91	100.5	12	—	140	2	1.18
	63	110	18	21317K ;H 317X	91	110	6	—	166	2.5	1.18
	82	110	18	22317BK;H2317X	94	110	6	—	166	2.5	1.45
80	65	120	18	LH-22218EK;H 318X	96	107.5	10	144	150	2	1.37
	65	120	18	LH-22218BK;H 318X	96	107.5	10	—	150	2	1.37
	86	120	18	23218BK;H2318X	99	110	18	—	150	2	1.69
	65	120	18	21318K ;H 318X	96	116	6	—	176	2.5	1.37
	86	120	18	22318BK;H2318X	99	117	6	—	176	2.5	1.69
85	68	125	19	22219BK;H 319X	102	117	9	—	158	2	1.56
	68	125	19	21319K ;H 319X	102	123	7	—	186	2.5	1.56
	90	125	19	22319BK;H2319X	105	123	7	—	186	2.5	1.92
90	71	130	20	22220BK;H 320X	107	123	8	—	168	2	1.69
	97	130	20	23220BK;H2320X	110	122	19	—	168	2	2.15
	71	130	20	21320K ;H 320X	107	130	7	—	201	2.5	1.69
	97	130	20	22320BK;H2320X	110	129	7	—	201	2.5	2.15
100	81	145	21	23122BK;H3122X	117	127	7	—	170	2	2.25
	77	145	21	22222BK;H 322X	117	137	6	—	188	2	2.18
	105	145	21	23222BK;H2322X	121	135	17	—	188	2	2.74
	77	145	21	21322K ;H 322X	117	142	9	—	226	2.5	2.18
	105	145	21	22322BK;H2322X	121	142	7	—	226	2.5	2.74
110	72	145	22	23024BK;H3024X	127	136	7	—	170	2	1.93
	88	155	22	23124BK;H3124X	128	140	7	—	190	2	2.64
	88	155	22	22224BK;H3124X	128	150	11	—	203	2	2.64
	112	155	22	23224BK;H2324X	131	147	17	—	203	2	3.19
	112	155	22	22324BK;H2324X	131	154	7	—	246	2.5	3.19
115	80	155	23	23026BK;H3026	137	147	8	—	190	2	2.85
	92	165	23	23126BK;H3126	138	152	8	—	200	2	3.66
	92	165	23	22226BK;H3126	138	161	8	—	216	2.5	3.66
	121	165	23	23226BK;H2326	142	160	21	—	216	2.5	4.6

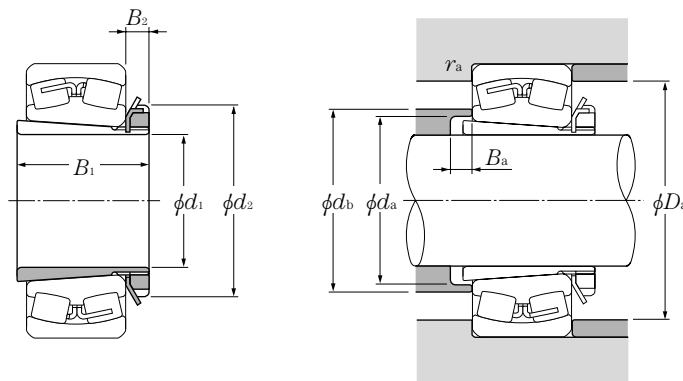
1) Indicates adapter mass.

Note: 1. Please refer to page B-224 to B-227 for bearing dimensions, rated loads, and mass.

2. Please refer to page C-2 to C-10 and C-12 to C-14 for adapter locknut and washer dimensions.

3. Adapter numbers with the suffix "X" signify narrow slit type adapters, and use washers with straight inner tabs.

(For spherical roller bearings)



d_1 115 ~ 170mm

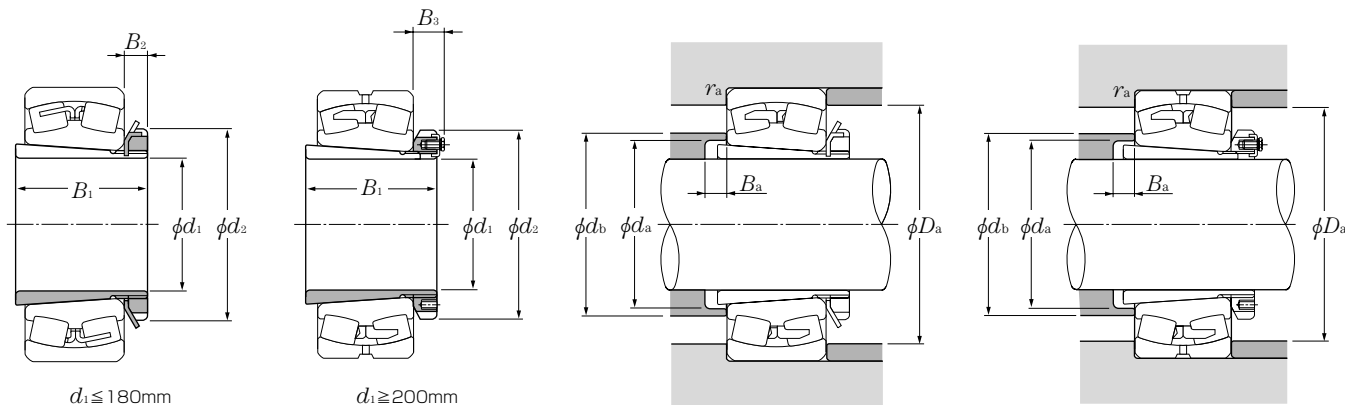
	Boundary dimensions				Bearing numbers	Abutment and fillet dimensions					Mass ¹⁾
	mm					mm					
	d_1	B_1	d_2	B_2		d_a min	d_b max	B_a min	D_a max	r_{as} max	kg (approx.)
115	121	165	23		22326BK;H2326	142	167	8	262	3	4.6
125	82	165	24		23028BK;H3028	147	158	8	200	2	3.16
	97	180	24		23128BK;H3128	149	165	8	213	2	4.34
	97	180	24		22228BK;H3128	149	173	8	236	2.5	4.34
	131	180	24		23228BK;H2328	152	172	22	236	2.5	5.55
	131	180	24		22328BK;H2328	152	179	8	282	3	5.55
135	87	180	26		23030BK;H3030	158	170	8	213	2	3.89
	111	195	26		23130BK;H3130	160	178	8	238	2	5.52
	111	195	26		22230BK;H3130	160	188	15	256	2.5	5.52
	139	195	26		23230BK;H2330	163	185	20	256	2.5	6.63
	139	195	26		22330BK;H2330	163	192	8	302	3	6.63
140	93	190	28		23032BK;H3032	168	181	8	228	2	5.21
	119	210	28		23132BK;H3132	170	190	8	258	2	7.67
	119	210	28		22232BK;H3132	170	200	14	276	2.5	7.67
	147	210	28		23232BK;H2332	174	198	18	276	2.5	9.14
	147	210	28		22332BK;H2332	174	205	8	322	3	9.14
150	101	200	29		23034BK;H3034	179	193	8	248	2	5.99
	122	220	29		23134BK;H3134	180	202	8	268	2	8.38
	122	220	29		22234BK;H3134	180	212	10	292	3	8.38
	154	220	29		23234BK;H2334	185	218	18	292	3	10.2
	154	220	29		22334BK;H2334	185	218	8	342	3	10.2
160	109	210	30		23036BK;H3036	189	204	8	268	2	6.83
	131	230	30		23136BK;H3136	191	215	8	286	2.5	9.5
	131	230	30		22236BK;H3136	191	225	18	302	3	9.5
	161	230	30		23236BK;H2336	195	223	22	302	3	11.3
	161	230	30		22336BK;H2336	195	230	8	362	3	11.3
170	112	220	31		23038BK;H3038	199	215	9	278	2	7.45
	141	240	31		23138BK;H3138	202	228	9	306	2.5	10.8
	141	240	31		22238BK;H3138	202	238	21	322	3	10.8
	169	240	31		23238BK;H2338	206	236	21	322	3	12.6
	169	240	31		22338BK;H2338	206	243	9	378	4	12.6

1) Indicates adapter mass.

Note: 1. Please refer to page **B-226 to B-229** for bearing dimensions, rated loads, and mass.

2. Please refer to page **C-2 to C-10** and **C-12 to C-14** for adapter locknut and washer dimensions.

(For spherical roller bearings)



d₁ 180 ~ 300mm

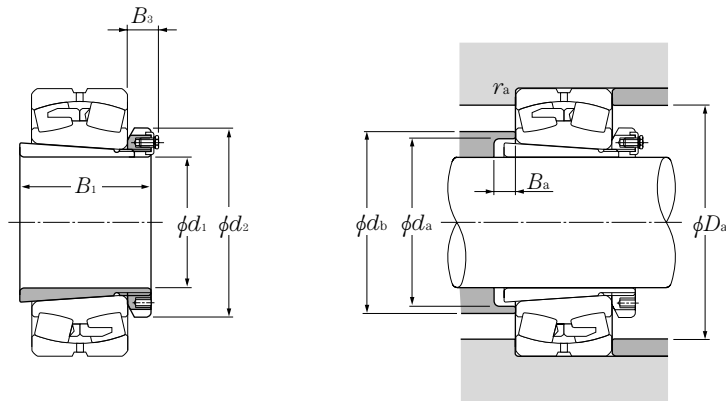
	Boundary dimensions				Bearing numbers	Abutment and fillet dimensions					Mass ¹⁾
	mm					mm					
	d ₁	B ₁	d ₂	B ₂	B ₃	d _a min	d _b max	B _a min	D _a max	r _{as} max	(approx.)
180	120	240	32	—	23040BK;H3040	210	227	10	298	2	9.19
	150	250	32	—	23140BK;H3140	212	240	10	326	2.5	12.1
	150	250	32	—	22240BK;H3140	212	250	24	342	3	12.1
	176	250	32	—	23240BK;H2340	216	248	20	342	3	13.9
	176	250	32	—	22340BK;H2340	216	255	10	398	4	13.9
200	126	260	—	41	23044BK;H3044	231	250	12	326	2.5	10.2
	158	280	—	44	23144BK;H3144	233	264	10	352	3	14.7
	158	280	—	44	22244BK;H3144	233	274	22	382	3	14.7
	183	280	—	44	23244BK;H2344	236	271	11	382	3	16.7
	183	280	—	44	22344BK;H2344	236	278	10	438	4	16.7
220	133	290	—	46	23048BK;H3048	251	272	11	346	2.5	13.2
	169	300	—	46	23148BK;H3148	254	288	11	382	3	17.3
	169	300	—	46	22248BK;H3148	254	298	19	422	3	17.3
	196	300	—	46	23248BK;H2348	257	295	6	422	3	19.7
	196	300	—	46	22348BK;H2348	257	302	11	478	4	19.7
240	145	310	—	46	23052BK;H3052	272	295	13	382	3	15.1
	187	330	—	49	23152BK;H3152	276	313	11	422	3	22
	187	330	—	49	22252BK;H3152	276	323	25	458	4	22
	208	330	—	49	23252BK;H2352	278	319	2	458	4	24.2
	208	330	—	49	22352BK;H2352	278	326	11	512	5	24.2
260	152	330	—	50	23056BK;H3056	292	317	12	402	3	17.7
	192	350	—	51	23156BK;H3156	296	336	12	438	4	24.5
	192	350	—	51	22256BK;H3156	296	346	28	478	4	24.5
	221	350	—	51	23256BK;H2356	299	343	11	478	4	27.8
	221	350	—	51	22356BK;H2356	299	350	12	552	5	27.8
280	168	360	—	54	23060BK;H3060	313	340	12	442	3	22.8
	208	380	—	53	23160BK;H3160	317	361	12	478	4	30.2
	208	380	—	53	22260BK;H3160	317	371	32	518	4	30.2
	240	380	—	53	23260BK;H3260	321	368	12	518	4	34.1
300	171	380	—	55	23064BK;H3064	334	363	13	462	3	24.6
	226	400	—	56	23164BK;H3164	339	384	13	518	4	34.9
	226	400	—	56	22264BK;H3164	339	394	39	558	4	34.9

1) Indicates adapter mass.

Note: 1. Please refer to page B-228 to B-233 for bearing dimensions, rated loads, and mass.

2. Please refer to page C-2 to C-10 and C-12 to C-14 for adapter locknut and washer dimensions.

(For spherical roller bearings)



d_1 300 ~ 470mm

	Boundary dimensions				Bearing numbers	Abutment and fillet dimensions					Mass ¹⁾
	mm					mm					
d_1	B_1	d_2	B_3		d_a min	d_b max	B_a min	D_a max	r_{as} max	kg (approx.)	
300	258	400	56		23264BK;H3264	343	393	13	558	4	39.3
320	187	400	58		23068BK;H3068	355	386	14	498	4	28.7
	254	440	72		23168BK;H3168	360	409	14	558	4	49.5
	288	440	72		23268BK;H3268	364	421	14	592	5	54.6
340	188	420	58		23072BK;H3072	375	408	14	518	4	30.5
	259	460	75		23172BK;H3172	380	432	14	578	4	54.2
	299	460	75		23272BK;H3272	385	442	14	622	5	60.2
360	193	450	62		23076BK;H3076	396	431	15	538	4	35.8
	264	490	77		23176BK;H3176	401	456	15	598	4	61.7
	310	490	77		23276BK;H3276	405	465	15	652	5	69.6
380	210	470	66		23080BK;H3080	417	454	15	578	4	41.3
	272	520	82		23180BK;H3180	421	479	15	622	5	70.6
	328	520	82		23280BK;H3280	427	488	15	692	5	81
400	212	490	66		23084BK;H3084	437	476	16	598	4	43.7
	304	540	90		23184BK;H3184	443	504	16	672	5	84.2
	352	540	90		23284BK;H3284	448	515	16	724	6	94
410	228	520	77		23088BK;H3088	458	499	17	622	5	65.2
	307	560	90		23188BK;H3188	464	527	17	692	5	104
	361	560	90		23288BK;H3288	469	539	17	754	6	118
430	234	540	77		23092BK;H3092	478	521	17	652	5	69.5
	326	580	95		23192BK;H3192	485	551	17	724	6	116
	382	580	95		23292BK;H3292	491	563	17	794	6	132
450	237	560	77		23096BK;H3096	499	544	18	672	5	73.3
	335	620	95		23196BK;H3196	505	575	18	754	6	133
	397	620	95		23296BK;H3296	512	590	18	834	6	152
470	247	580	85		230/500BK;H30/500	519	566	18	692	5	81.8
	356	630	100		231/500BK;H31/500	527	600	18	794	6	143
	428	630	100		232/500BK;H32/500	534	618	18	884	6	166

1) Indicates adapter mass.

Note: 1. Please refer to page B-228 to B-237 for bearing dimensions, rated loads, and mass.

2. Please refer to page C-2 to C-10 and C-12 to C-14 for adapter locknut and washer dimensions.